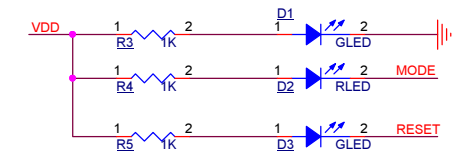
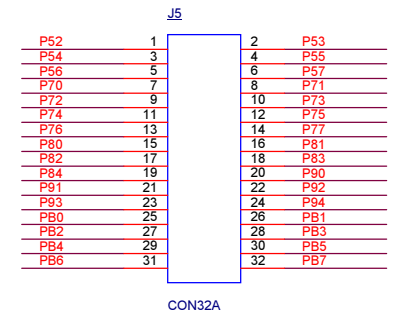
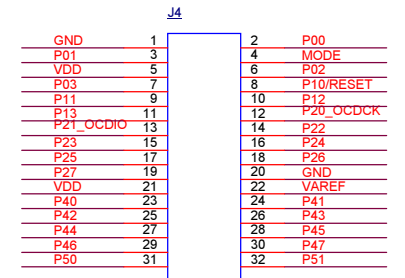
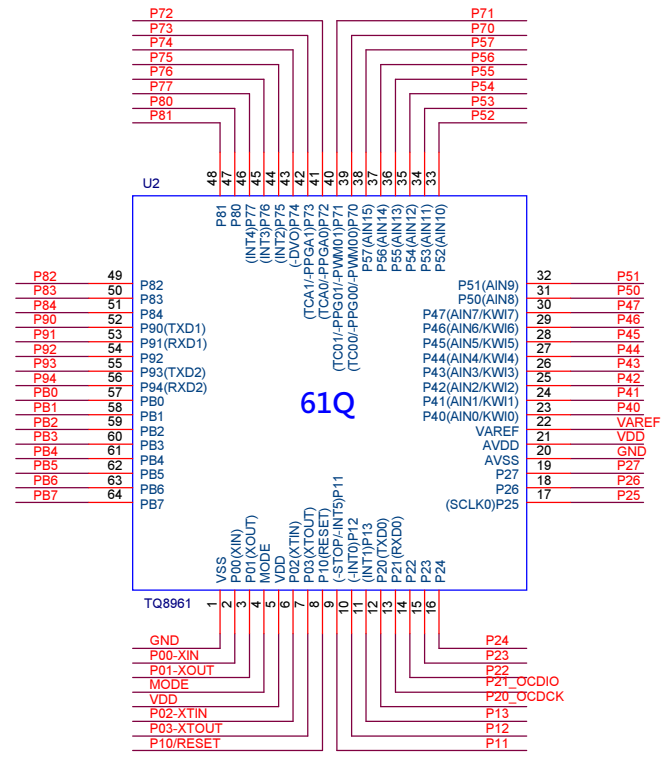


InSystemProgramming



Title		
MQ-Link 61Q EV Board V1.1		
Size	Document Number	Rev
B	<Doc>	<RevCode>
Date:	Wednesday, November 25, 2015	Sheet 1 of 1