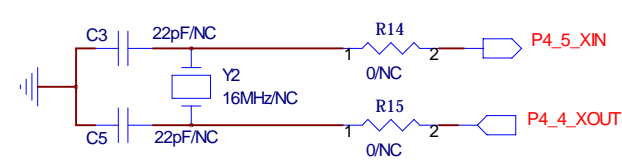
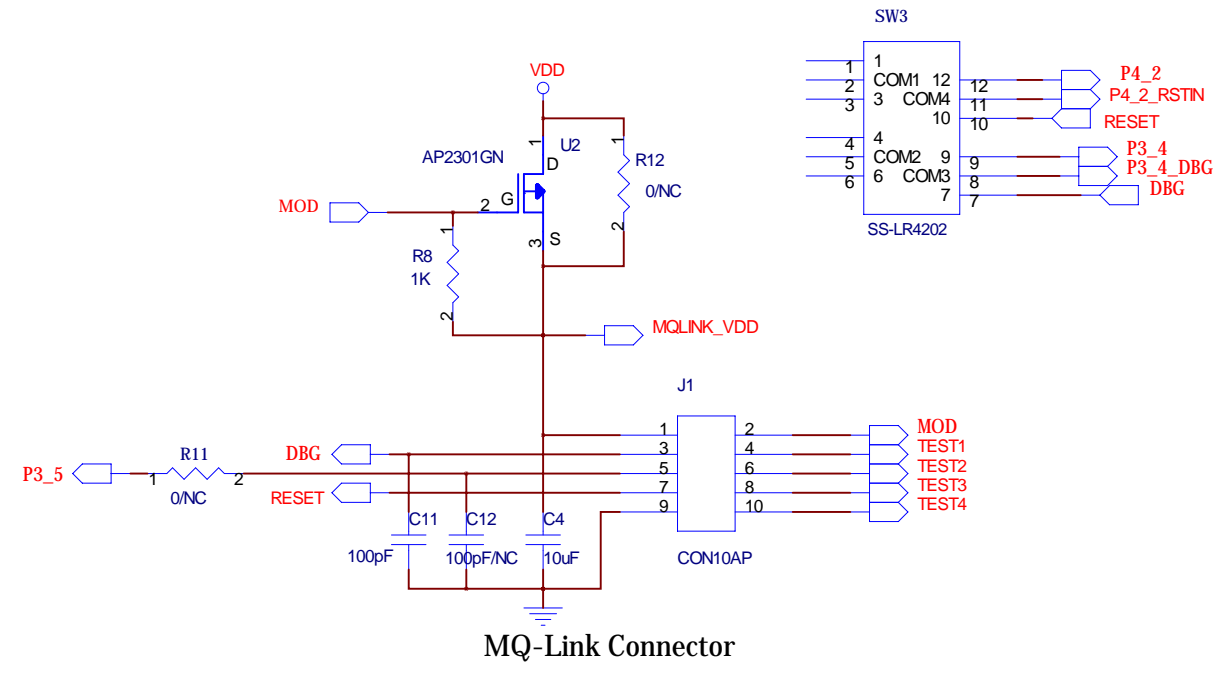


**SQ7613 EV Board V1.0**  
 Function Block/ Item:  
 1. Package : LQFP33 Pin Socket  
 2. Temperature : -45c~85c  
 3. MQ-Link Connector  
 4. HXTAL - 16MHz  
 5. Pin out header  
 6. LED low active circuit

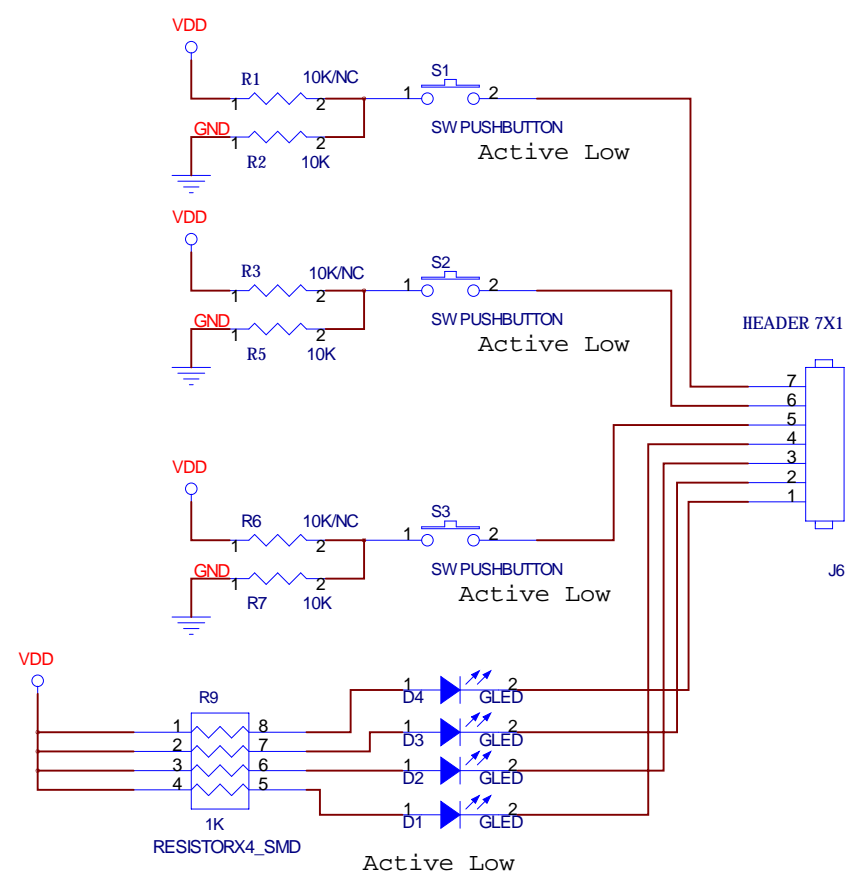
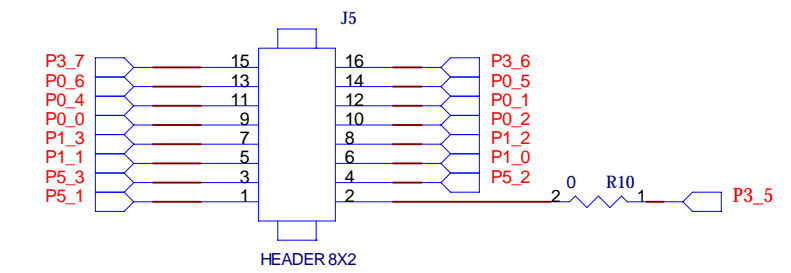
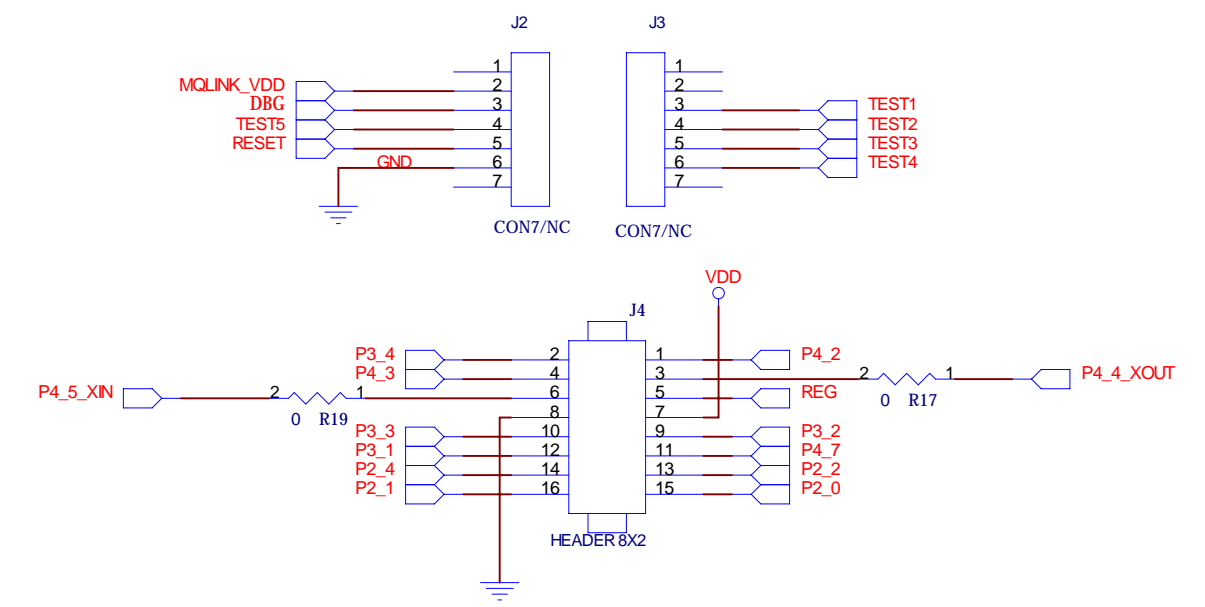
Revision History	
Version	Description
V0.0	Initial
V1.0	First release



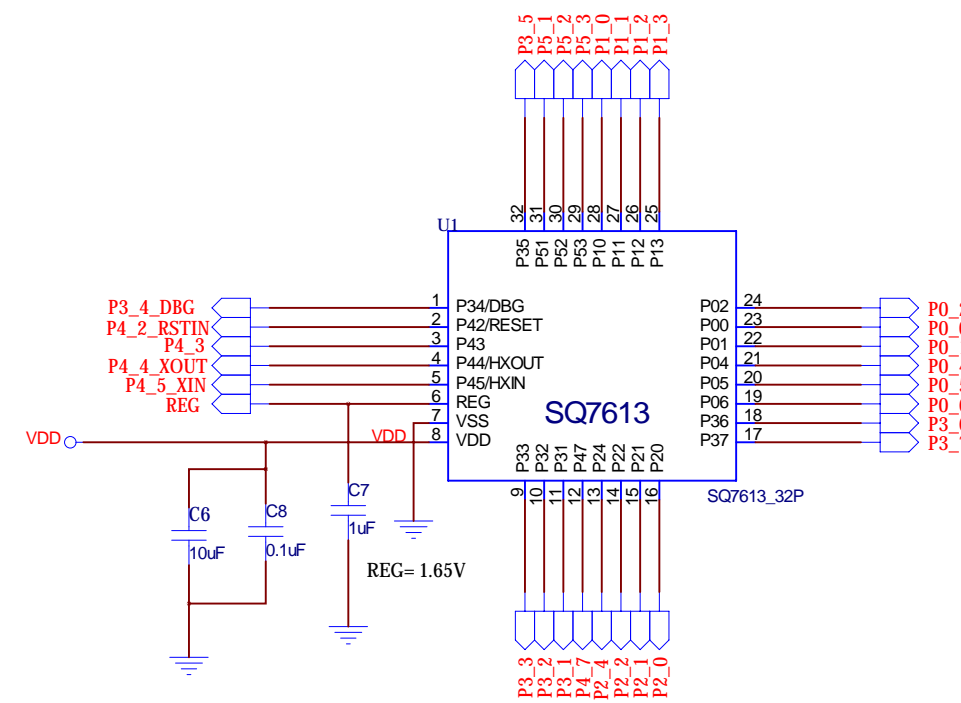
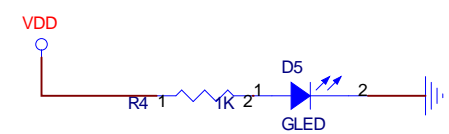
Resonator 16MHz



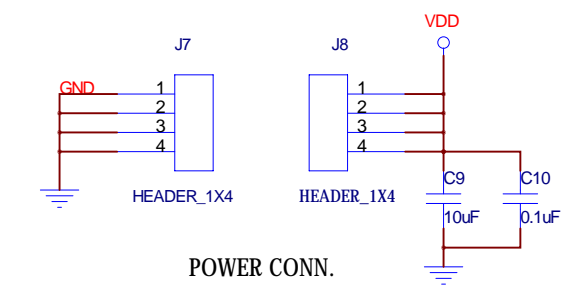
MQ-Link Connector



Active Low



REG= 1.65V



POWER CONN.