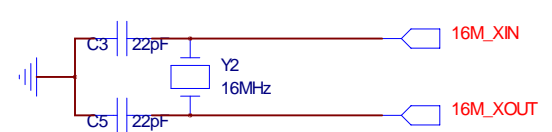
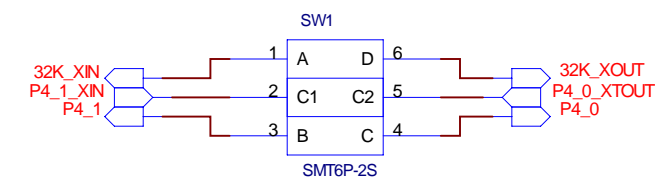


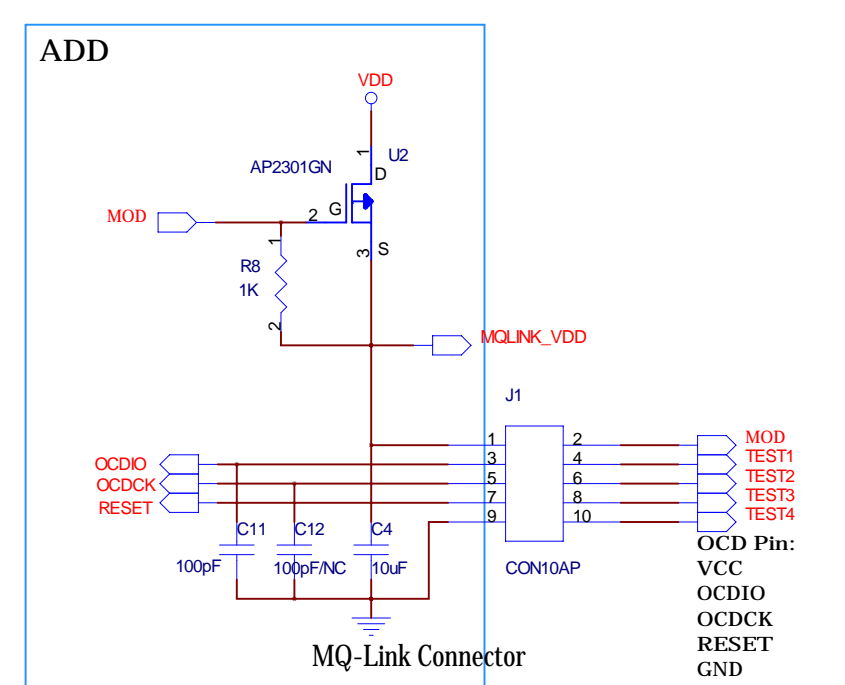
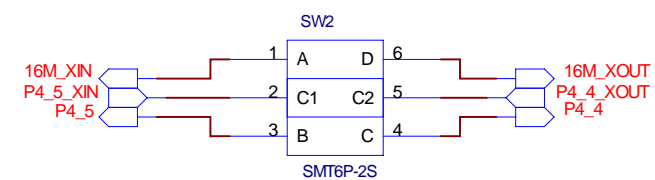
Title		Placement	
Size	Document Number	Rev	
C	SQ7615 EV Board	V1.1	
Date:	Tuesday, April 16, 2019	Sheet	1 of 2



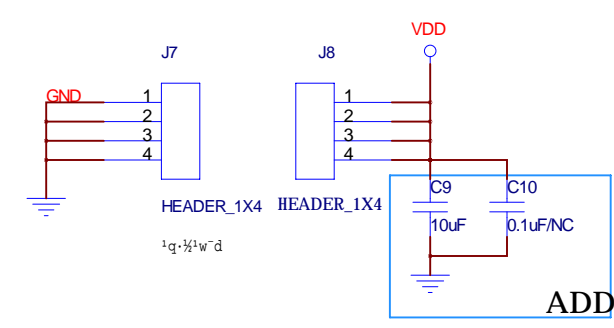
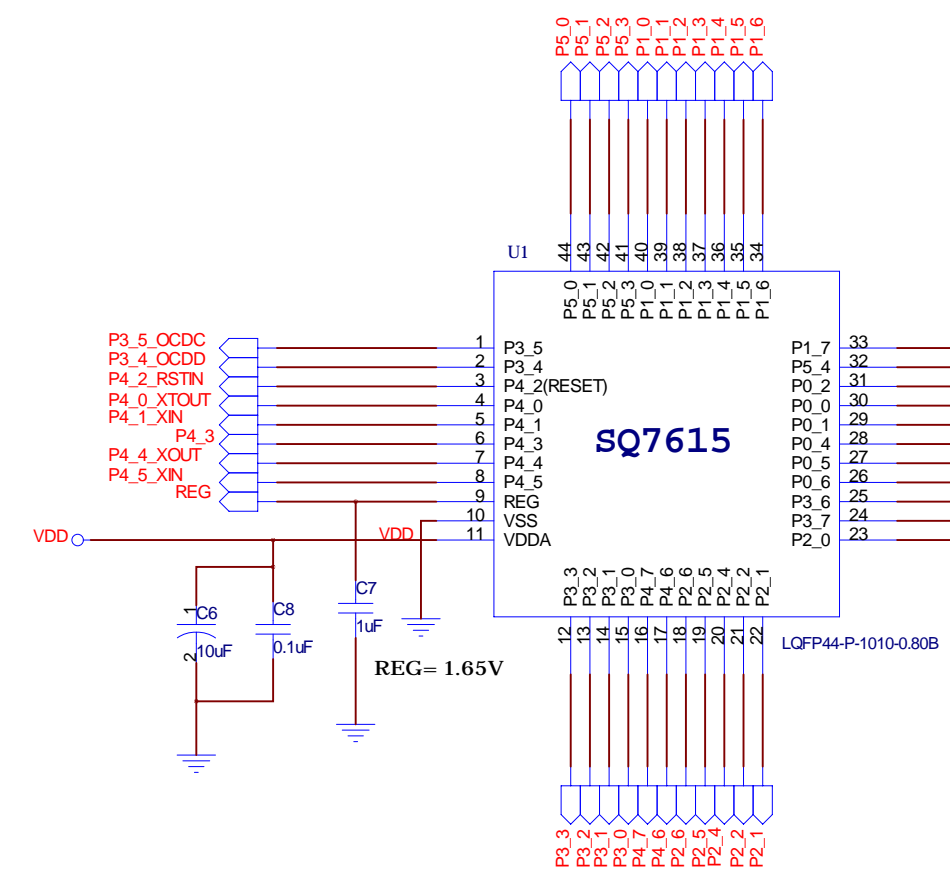
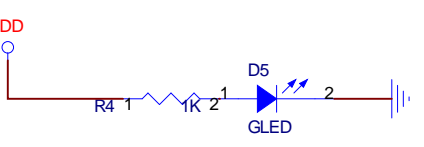
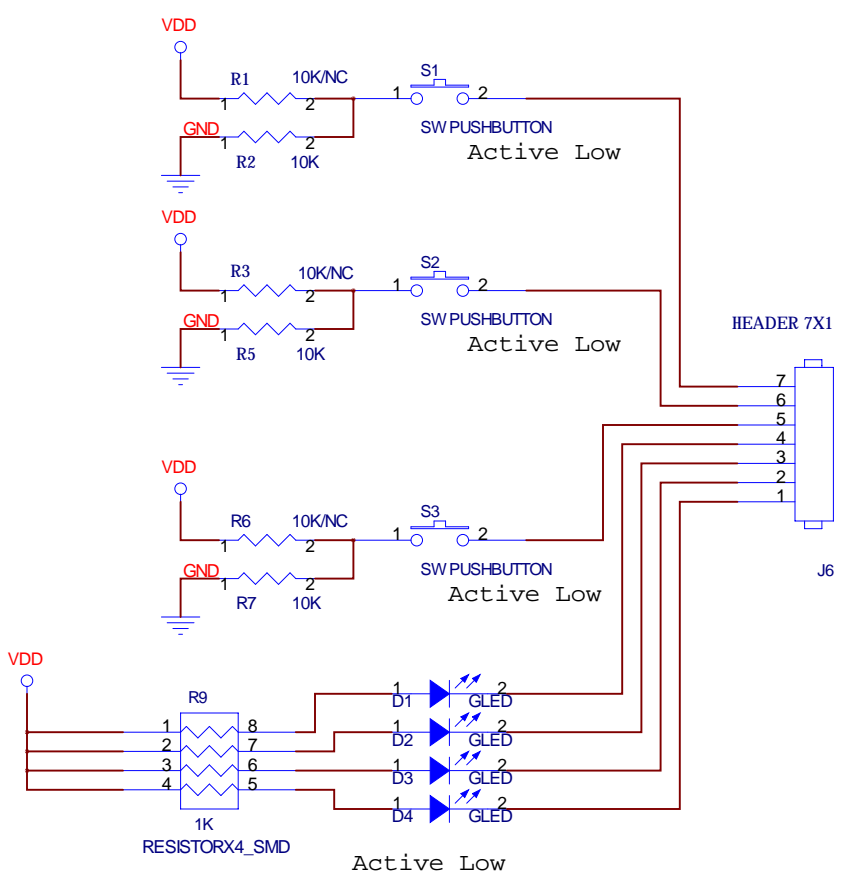
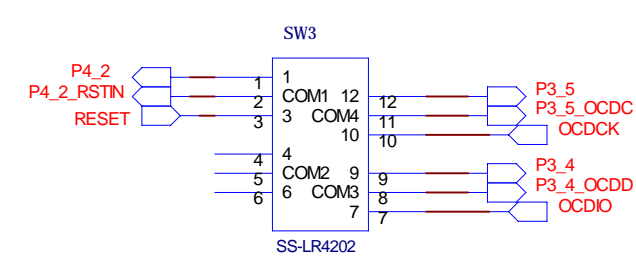
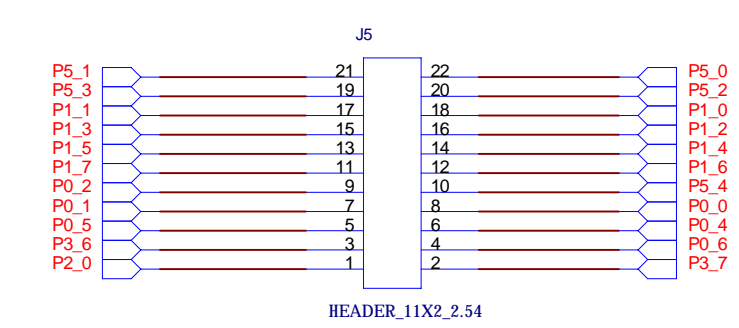
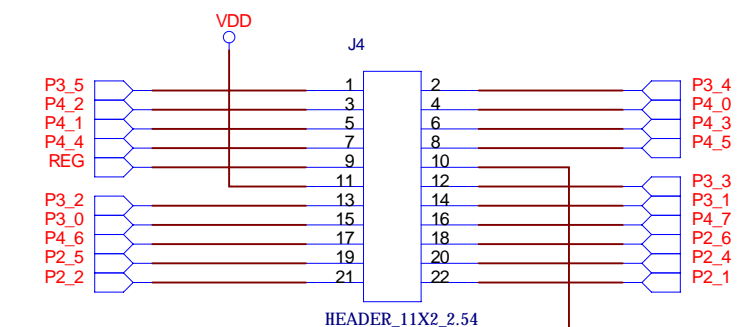
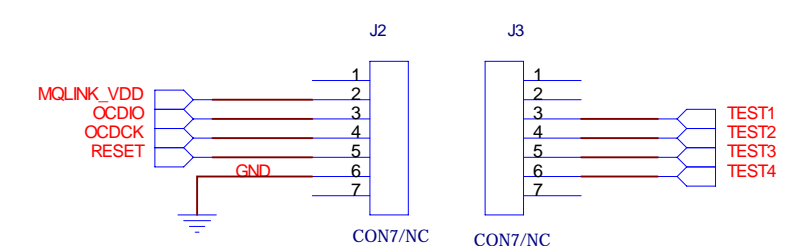
Resonator 32KHz



Resonator 16MHz



MQ-Link Connector



Title	Main	Rev	V1.1
Size	Document Number	SQ7615 EV Board	
Date:	Tuesday, April 16, 2019	Sheet	2 of 2