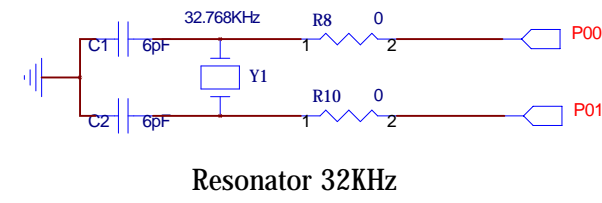
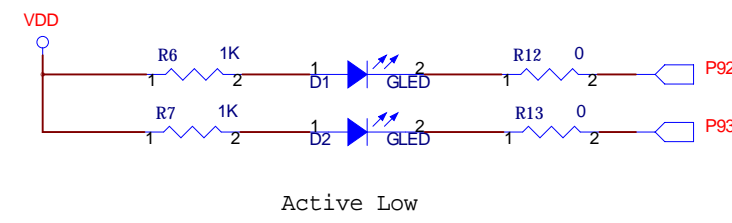
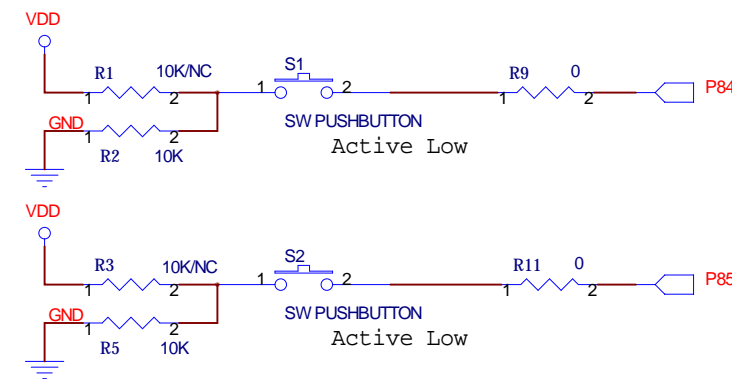


MQ6823 EV Board V1.0
 Function Block/ Item:
 1. Package : LQFP32 Pin Socket
 2. Temperature : -45c~85c
 3. MQ-Link Connector
 4. LXTAL - 32KHz
 5. Pin out header
 6. LED low active circuit

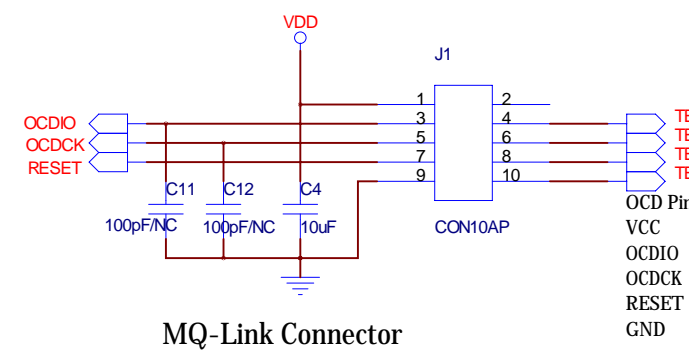
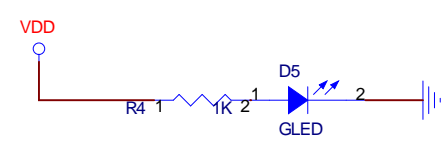
Revision History	
Version	Description
V0.0	Initial
V1.0	First release



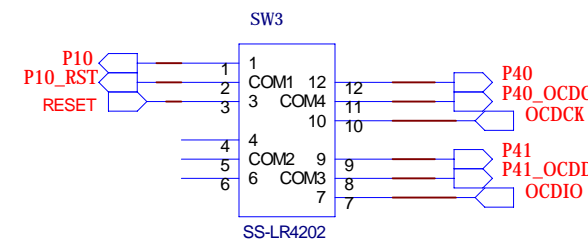
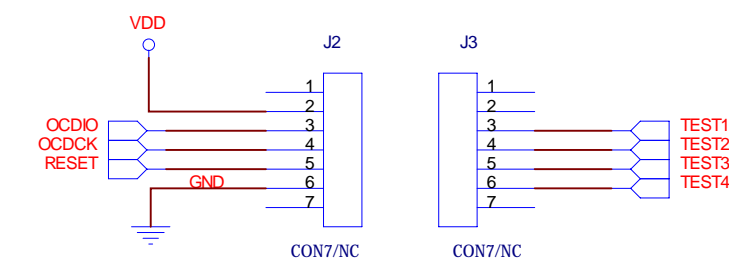
Resonator 32KHz



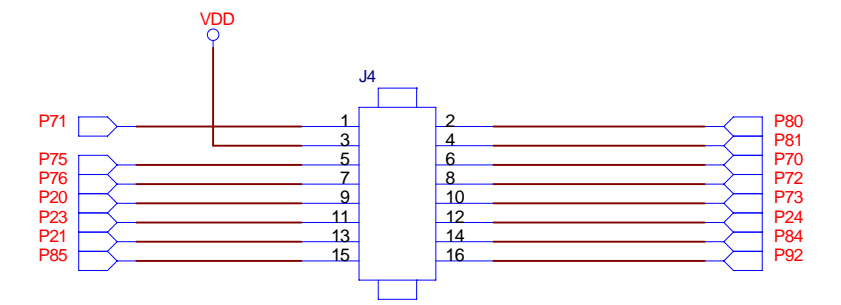
Active Low



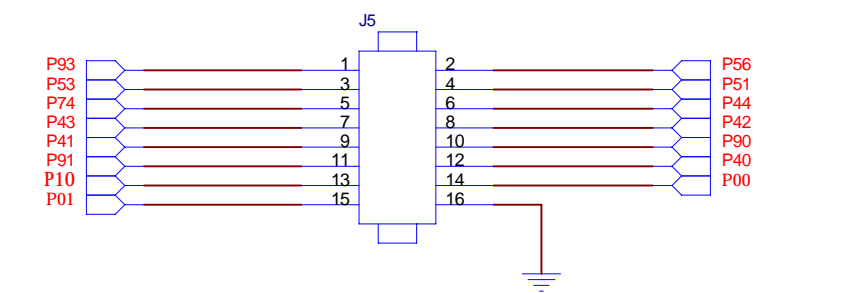
MQ-Link Connector



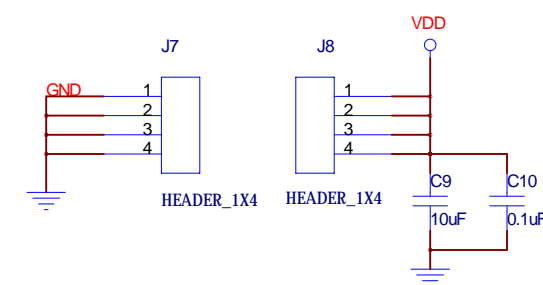
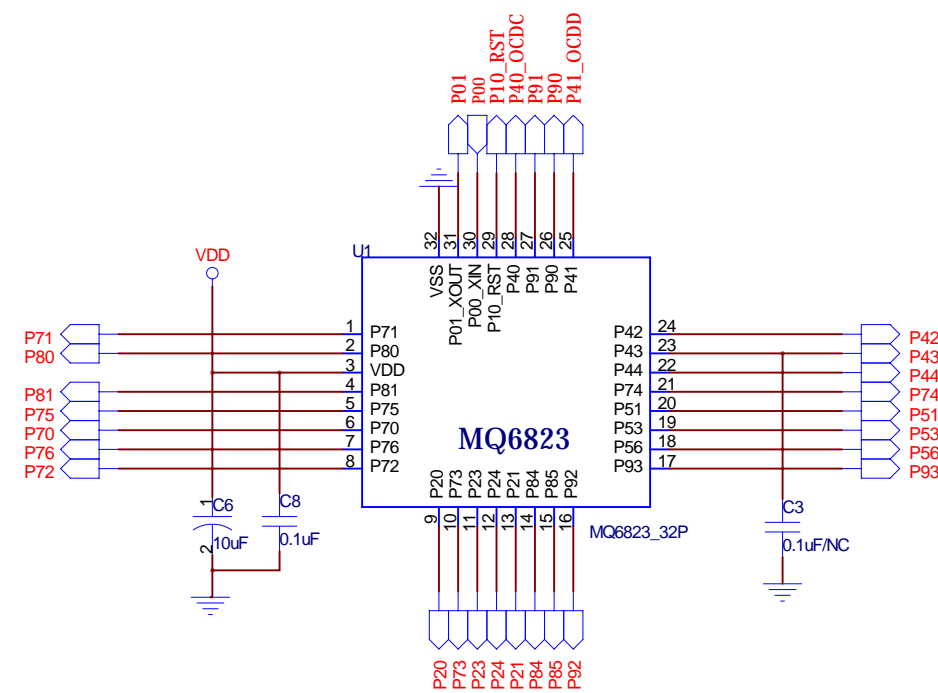
SYSTEM / IDE switch



IO HEADER



IO HEADER



Title	Main	Rev	V1.0
Size	Document Number	MQ6823 EV Board V1.0	
Date	Thursday, June 13, 2019	Sheet	2 of 2