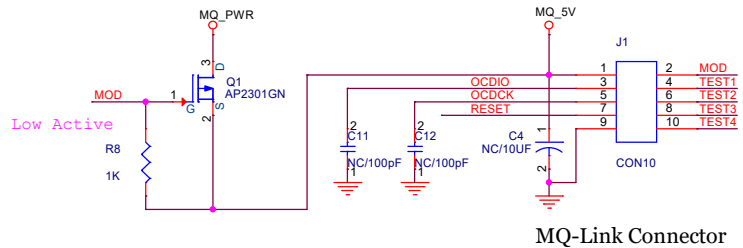
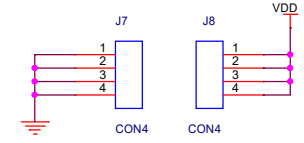
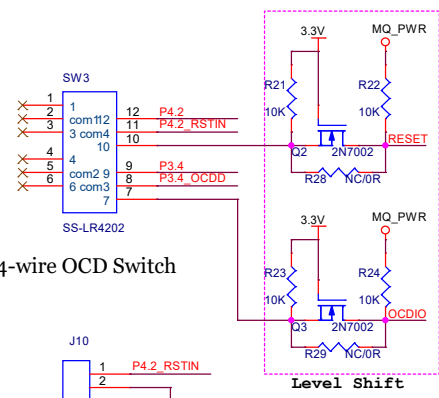
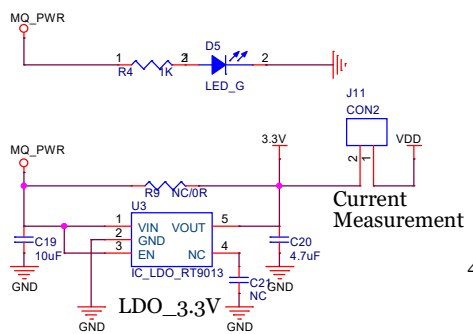
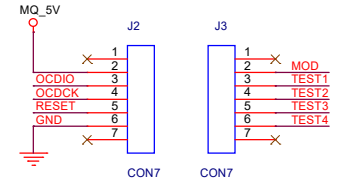


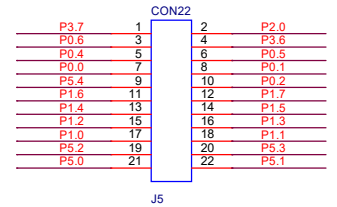
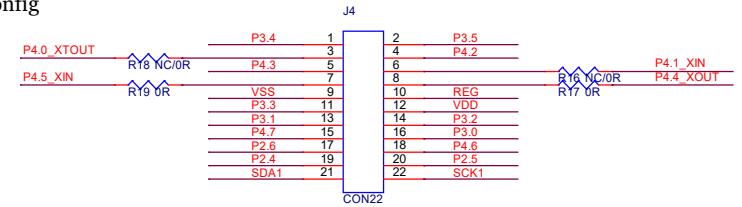
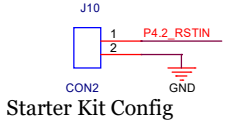
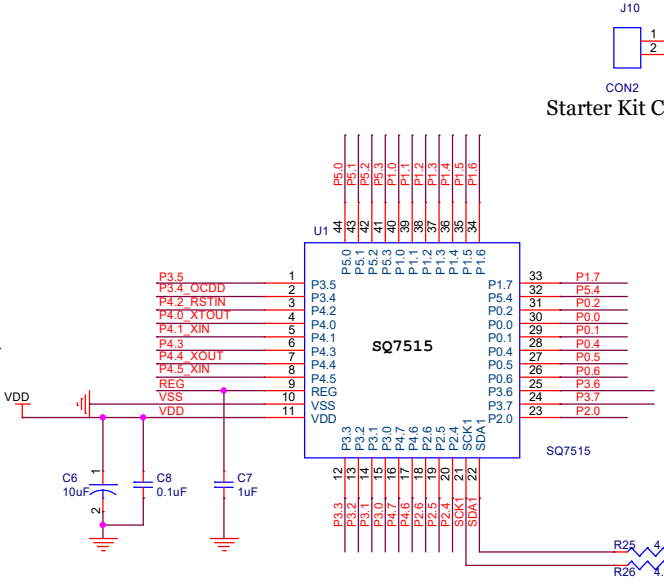
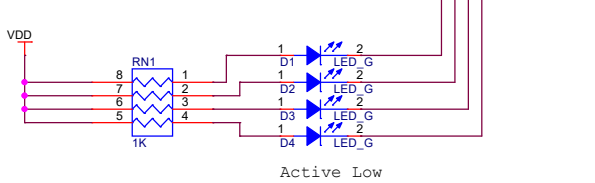
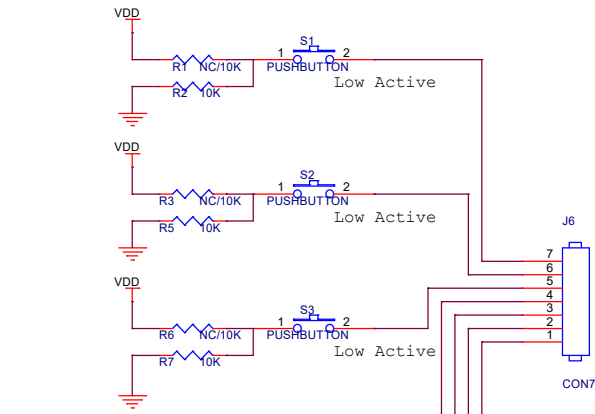
LF/HF Crystal



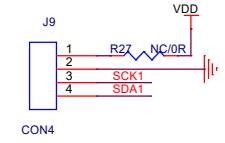
OCD Pin:
 MQ_5V
 OCDIO
 OCDCK
 RESET
 GND



Power PIN



GPIO



Title		
SQ7515 EV Board V1.1		
Size	Document Number	Rev
A3	Main	V1.0
Date:	Wednesday, December 14, 2022	Sheet 3 of 3